

# DC AXIAL FAN

JAMICON®

## 40X40X15 mm

## KF0415-11 Series



- **Frame** : Plastic Material UL 94V-0
- **Impeller** : Plastic Material UL 94V-0
- **Speed Range** : ±10%

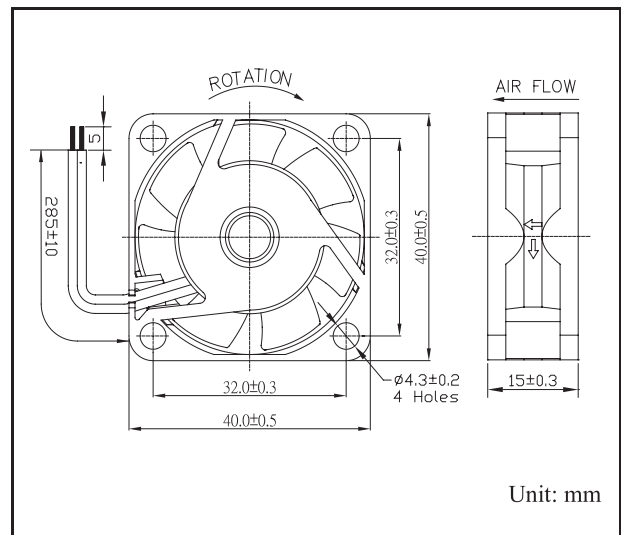
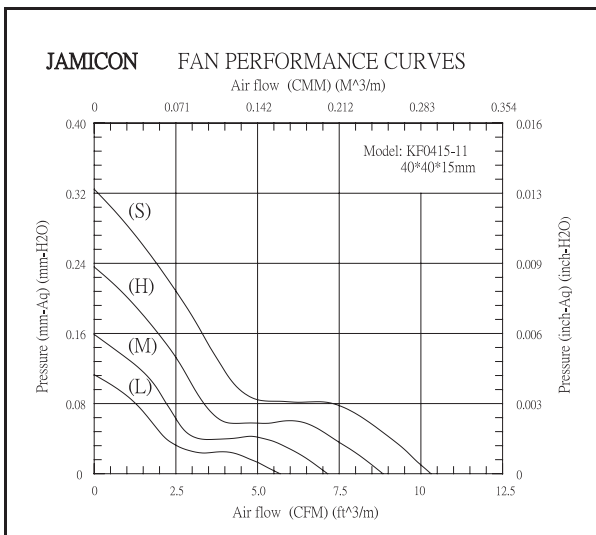
### SPECIFICATIONS

Model	Bearing	Rated Voltage (V)	Operating Voltage (V)	Air Flow (CFM)	Static Pressure (inchH <sub>2</sub> O)	Speed (R.P.M.)	Input Current (Amp)	Input Power (Watt)	Nominal Current (Amp)	Noise (dBA)	Weight (g)
KF0415B5SR	Dual	5	4.25~5.75	10.32	0.325	8600	0.53	2.65	0.70	39.0	25
KF0415B5HR	Ball			8.84	0.237	7300	0.32	1.60	0.44	32.9	
KF0415-5M	B, S			7.14	0.159	6000	0.21	1.05	0.25	28.6	
KF0415-5L	B, S			5.70	0.113	5000	0.16	0.80	0.17	24.9	
KF0415B1SR	Dual	12	10.2~13.8	10.32	0.325	8600	0.19	2.28	0.25	39.0	
KF0415B1HR	Ball			8.84	0.237	7300	0.13	1.56	0.17	32.9	
KF0415-1M	B, S			7.14	0.159	6000	0.08	0.96	0.11	28.6	
KF0415-1L	B, S			5.70	0.113	5000	0.06	0.72	0.08	24.9	
KF0415B2SR	Dual	24	20.4~27.6	10.32	0.325	8600	0.09	2.16	0.11	39.0	
KF0415B2HR	Ball			8.84	0.237	7300	0.07	1.68	0.08	32.9	
KF0415-2M	B, S			7.14	0.159	6000	0.05	1.20	0.06	28.6	
KF0415-2L	B, S			5.70	0.113	5000	0.03	0.72	0.04	24.9	

Specifications subject to change without notice

The 7<sup>TH</sup> character of Model No means the bearing code. Please refer to the page "PART NUMBER SYSTEM".

Please contact us for detail if your request bearing system is not shown in the above list.



Unit: mm